

Patents, Designs, and Trade Marks

SUPPLEMENT

TO THE

NEW ZEALAND GAZETTE

OF

THURSDAY, MARCH 21, 1912.

Published by Authority.

WELLINGTON, THURSDAY, MARCH 21, 1912.

CONTENTS.

| | Page |
|--|------|
| International and Intercolonial Arrangements for the Mutual Protection of Patents and Trade Marks .. | 1115 |
| Notice <i>re</i> Holidays | 1116 |
| Specifications open to Public Inspection before Acceptance | 1116 |
| Applications for Letters Patent filed | 1116 |
| Complete Specifications filed after Provisionals .. | 1117 |
| Provisional Specifications accepted | 1117 |
| Provisional Specifications accepted | 1121 |
| Letters Patent sealed | 1121 |
| Letters Patent on which Fees have been paid .. | 1121 |
| Subsequent Proprietors of Letters Patent registered .. | 1121 |
| Request for Correction of Clerical Error in Application for Letters Patent allowed | 1121 |
| Application for Letters Patent opposed | 1121 |
| Applications for Letters Patent abandoned | 1122 |
| Applications for Letters Patent void | 1122 |
| Applications for Letters Patent lapsed | 1122 |
| Letters Patent void | 1122 |
| Designs registered | 1122 |
| Design expired | 1122 |
| Applications for Trade Marks filed | 1122 |
| Applications for Registration of Trade Marks .. | 1123 |
| Trade Marks registered | 1126 |
| Trade Mark Renewal Fees paid | 1127 |
| Trade Marks removed from the Register | 1127 |
| Subsequent Proprietor of Trade Mark registered .. | 1127 |
| Applications for Trade Marks abandoned or refused .. | 1127 |

International and Intercolonial Arrangements for the Mutual Protection of Patents and Trade Marks.

INTERNATIONAL CONVENTION.

THE following countries now belong to the Convention:—

| | |
|--|--|
| Australia. | Hungary with Bosnia and Herzegovina. |
| Austria. | Italy. |
| Belgium. | Japan. |
| Brazil. | Mexico. |
| Ceylon. | New Zealand. |
| Cuba. | Norway. |
| Denmark and Faroe Islands. | Portugal, with the Azores and Madeira. |
| Dominican Republic. | Servia. |
| France, with Algeria and colonies. | Spain. |
| Germany. | Sweden. |
| Great Britain. | Switzerland. |
| Holland, with East Indian colonies, Curaçoa, and Surinam.* | Trinidad and Tobago. |
| | Tunis. |
| | United States of America. |

* Trade marks only.

Separate arrangements have been made between Australia and New Zealand.

Particulars of the Convention and of such arrangements may be seen in the following *Gazettes*:—

Notification of adhesion of New Zealand to the Convention, with text thereof (in English), in the *Gazette* of 26th November, 1891; notification of adnerence of New Zealand to the Additional Act of the Convention, in Patents Supplement to *Gazette* No. 101, of the 16th November, 1905; Order in Council applying section 103 of the Imperial Act to New Zealand, in *Gazette* No. 27, of the 15th May, 1890; Orders in Council containing arrangements between Australia and New Zealand, in Patent Supplements to the *Gazette* Nos. 22, of the 9th March, 1905, and 38, of the 20th April, 1905.

Easter Holidays.

Department of Internal Affairs,
Wellington, 7th March, 1912.

IT is hereby notified for general information that Friday, the 5th, Saturday, the 6th, and Monday, the 8th day of April, 1912, will be observed as holidays in the public offices of the Government of New Zealand.

By order.

J. HISLOP,
Under-Secretary.

Specifications open to Public Inspection before Acceptance.

(In accordance with the arrangements made between
Australia and New Zealand.)

[The specifications may be inspected at the Patent Office,
Wellington, on payment of a search fee of 1s. per hour.]

(NOTE.—The date given is the prior date applied for.)

N O. 30733.—13th March, 1911.—L. W. Welsford and
W. A. Barton, concrete-block mould.
No. 30837.—6th March, 1911.—C. L. Menzel, boat.
No. 30985.—13th March, 1911.—T. Sinclair, fencing-
dropper.

Applications for Letters Patent filed.

LIST of applications for Letters Patent filed. (Where a complete specification accompanies an application an asterisk is affixed; in all other cases a provisional specification has been lodged. In all cases where the applicant is not the inventor the name of the latter appears in italics in brackets. † Denotes an application under the International and Intercolonial Arrangements.)

| | | | |
|--|----|----|--|
| Bates, F., Wellington, N.Z. | .. | .. | Pocket; 30968; 1st March. |
| Miller, W., Christchurch, N.Z. | .. | .. | Wall-plate checking-machine; 30969; 1st March. |
| Noy, E. H., Auckland, N.Z. | .. | .. | Kettle; 30970; 2nd March. |
| Fort, G. D., Auckland, N.Z. | .. | .. | Kettle; 30970; 2nd March. |
| Baddeley, R. M., Onehunga, N.Z. | .. | .. | Skeleton frame and receptacle; 30971; 2nd March. |
| Standen, F. A., St. Ives, Eng. | .. | .. | Cultivator*; 30972; 2nd March. |
| Horne, J. T., Rock Ferry, Eng. | .. | .. | Obtaining access to ship's hold, &c.*; 30973; 13th April, 1911.† |
| Beard, W. J., Peep-o'-day, N.Z. | .. | .. | Road-making tool; 30974; 5th March. |
| Ramsbotham, S. H., Ohau, N.Z. | .. | .. | Acetylene-generator; 30975; 2nd March. |
| Warner, J. B., Auckland, N.Z. | .. | .. | Building-block; 30976; 1st March. |
| Donald, D., Masterton, N.Z. | .. | .. | Gate-hinge, &c.*; 30977; 4th March. |
| Sinclair, T. D., Hastings, N.Z. | .. | .. | Cycle-side-car connecting; 30978; 5th March. |
| Lane, F. A., Little Falls, U.S.A. | .. | .. | Teat-cup*; 30979; 6th March, 1911.† |
| Siddans, T., Tokomaru, N.Z. | .. | .. | Flax-tail cutter; 30980; 5th March. |
| McMillan, T. E., Tokomaru, N.Z. | .. | .. | Flax-tail cutter; 30980; 5th March. |
| Gesellschaft für Drahtlose, Telegraphie m.b.H., Berlin, Ger. | .. | .. | Electric oscillation receiver*; 30981; 9th March, 1911.† |
| Dring, T. A., Trowbridge, Eng. | .. | .. | Flying-machine*; 30982; 6th March. |
| Henning, A., Leytonstone, Eng. | .. | .. | Material-cleaning device*; 30983; 9th March, 1911.† |
| Jordeson, T. P., and Co., London, Eng. | .. | .. | Refrigerating-machine*; 30984; 9th March, 1911.† |
| Sinclair, T., Freeburgh, Vic. | .. | .. | Fencing-dropper*; 30985; 13th March, 1911.† |
| Johnson, F. A., Kawakawa, N.Z. | .. | .. | Acetylene-generator; 30986; 2nd March. |
| Hurd, T., Dunedin, N.Z. | .. | .. | Draught-preventer; 30987; 2nd March. |
| Gillespie, D., jun., Dunedin, N.Z. | .. | .. | Attaching bed-posts to side-rails; 30988; 4th March. |
| Ballinger, T., Wellington, N.Z. | .. | .. | Bucket-attachment*; 30989; 6th March. |
| Kucharski, S., Weidmannslust, Ger. | .. | .. | Cinematograph-film printing*; 30990; 6th March. |
| Ferguson, A., Wellington, N.Z. | .. | .. | Debt-collecting outfit; 30991; 6th March. |
| Mills, C., Christchurch, N.Z. | .. | .. | Knife, &c., cleaning machine; 30992; 6th March. |
| Wilson, H. M., Auckland, N.Z. | .. | .. | Kerb, &c., mould*; 30993; 5th March. |
| Langvad, T. L., Auckland, N.Z. | .. | .. | Concrete, &c., steps building*; 30994; 5th March. |
| Jenkin, W. J., Christchurch, N.Z. | .. | .. | Chair, &c., stay and rack; 30995; 6th March. |
| Ellison, W. J., Christchurch, N.Z. | .. | .. | Chair, &c., stay and rack; 30995; 6th March. |
| McCoy, C. A., Christchurch, N.Z. | .. | .. | Telephone-mouthpiece disinfectant; 30996; 6th March. |
| Eureka Milking Machine Company, Limited, Auckland, N.Z. (Drouleze, H.) | .. | .. | Milking-machine*; 30997; 7th March. |
| Park, R. T., jun., Albert Park, Vic. | .. | .. | Chaff-bagging, &c.*; 30998; 16th March, 1911.† |
| Félicat, L., Salon, France | .. | .. | Furnace*; 30999; 7th March. |
| Taylor, R. S., Windsor, N.Z. | .. | .. | Box-parts connecting*; 31000; 8th March. |
| May, T. W., Auckland, N.Z. | .. | .. | Ship-steering apparatus; 31001; 7th March. |
| Latta, R., Owaka, N.Z. | .. | .. | Music-stand; 31002; 5th March. |
| Ross, H. I. M., Dunedin, N.Z. | .. | .. | Ventilator; 31003; 5th March. |
| Beckett, C. G., Christchurch, N.Z. | .. | .. | Tradesmen's indicating-device*; 31004; 6th March. |
| Luke, E. H., Napier, N.Z. | .. | .. | Counterbalancing window-sash; 31005; 8th March. |
| Easte, A. H., Palmerston North, N.Z. | .. | .. | Funnel; 31006; 8th March. |
| Thompson, F., Christchurch, N.Z. | .. | .. | Electors' enrolment claim; 31007; 7th March. |
| Hovell, D. de B., Sumner, N.Z. | .. | .. | Hot-water system*; 31008; 7th March. |
| Gatt-che, H. J. | .. | .. | Calendar; 31009; 7th March. |
| Eberhard, M. | .. | .. | Calendar; 31009; 7th March. |
| Sandford, F., Auckland, N.Z. | .. | .. | Hygienic powder; 31010; 7th March. |
| Clark, J. J., Auckland, N.Z. | .. | .. | Hygienic powder; 31010; 7th March. |
| Wilson, H. M., Auckland, N.Z. | .. | .. | Concrete sewer forming*; 31011; 7th March. |
| Tait, A. L. J., Dunedin, N.Z. | .. | .. | Hank-forming, &c., device*; 31012; 7th March. |
| Reilly, J., Dunedin, N.Z. | .. | .. | Letterette form; 31013; 7th March. |
| Warren, J. E., Waipori, N.Z. | .. | .. | Nail, &c., extractor*; 31014; 7th March. |
| Robertson, C. C., Ngaere, N.Z. | .. | .. | Milk-cock*; 31015; 9th March. |
| Manley, A., Ngaere, N.Z. | .. | .. | Milk-cock*; 31015; 9th March. |
| Maidens, J. W., Little River, N.Z. | .. | .. | Grass-stripper*; 31016; 6th March. |
| Headland, H., Nelson, N.Z. | .. | .. | Envelope; 31017; 9th March. |
| Tomkies, A. G., Westport, N.Z. | .. | .. | Kettle; 31018; 6th March. |
| Salmon, J. B., Dunedin, N.Z. | .. | .. | Tire; 31019; 8th March. |
| Roy, E. W., Dunedin, N.Z. | .. | .. | Tire; 31019; 8th March. |
| Cooper, H. E., Rookdale, N.S.W. (Duigan, G. O.) | .. | .. | Mirror-adjustment*; 31020; 11th March. |
| Bergman, V., Dannevirke, N.Z. | .. | .. | Clothes-line; 31021; 11th March. |
| Grace, C., Dunedin, N.Z. | .. | .. | Flow-of-oil indicator; 31022; 11th March. |
| Fleming, A. S., Brisbane, Queens. | .. | .. | Disinfectant-distributor; 31023; 12th March. |
| Daysh, N. J., Carterton, N.Z. | .. | .. | Teat-cup*; 31024; 12th March. |
| Wilson, H. M., Auckland, N.Z. | .. | .. | Concrete-pipe mould*; 31025; 11th March. |
| Carson, W., Sydney, N.S.W. | .. | .. | Amalgamating machine*; 31026; 13th March. |
| Poole, R. M., Mount Gambier, S. Aust. | .. | .. | Spraying-system*; 31027; 13th March. |
| Daniel, F. H., Mount Gambier, S. Aust. | .. | .. | Spraying-system*; 31027; 13th March. |

| | |
|--|--|
| Bassford, T., Melbourne, Vic. | Cycle, &c., tire* ; 31028 ; 18th March. |
| Bassford, T., Melbourne, Vic. | Propelling and steering gear* ; 31029 ; 18th March |
| Bassford, T., Melbourne, Vic. | Spanner* ; 31030 ; 18th March. |
| Bassford, T., Melbourne, Vic. | Jaw-wrench* ; 31031 ; 18th March. |
| Haycock, G. W., Wanganui, N.Z. | Hose-pipe coupling ; 31032 ; 18th March. |
| Matheson, J. N., Tyers, Vic. (<i>Galopin, H.</i>) | Tachometer* ; 31033 ; 18th March. |
| Bruce, W. M., Traralgon, Vic. (<i>Galopin, H.</i>) | Tachometer* ; 31033 ; 18th March. |
| Hanson, H., Wellington, N.Z. | Nail ; 31034 ; 18th March. |
| Hanson, H., Wellington, N.Z. | Lead-headed-nail machine ; 31035 ; 18th March. |
| Griffiths, E. A., Auckland, N.Z. | Ship-alarm apparatus ; 31036 ; 14th March. |
| Fox, F. H., Wellington, Eng. | Puttee, &c., manufacture* ; 31037 ; 14th March. |
| Bowdler, F. J., Wellington, Eng. | Puttee, &c., manufacture* ; 31037 ; 14th March. |
| Hill, J. A., Sheffield, Eng. | Locomotive furnace grate* ; 31038 ; 14th March. |
| Philp, S., Wellington, N.Z. | Strawberry-protector ; 31039 ; 14th March. |
| Postum Cereal Company, Battle Creek, U.S.A. | Beverage-extracts* ; 31040 ; 14th March. |

Complete Specifications filed after Provisionals.

LIST of complete specifications filed after provisional specifications from the 1st to the 14th March, 1912, inclusive:—

- No. 29481.—P. Robinson and E. Wankelyn, fibre-tail clipper.
- No. 29512.—G. Porter, fire-alarm system.
- No. 29629.—W. M. Nelson, tramway-car.
- No. 29663.—F. V. Raymond, fibre treatment.
- No. 29685.—J. C. Smith and W. Tweedale, metal-extraction.
- No. 29694.—W. H. J. Ridley, generator.
- No. 29704.—M. A. Trent, coffee and milk urn.
- No. 29719.—F. V. Raymond, flax-dressing.
- No. 29822.—J. J. Raynes, cream-separator driving-apparatus.
- No. 29823.—J. J. Raynes, driving-power equalizer.
- No. 30046.—G. W. Hutchinson, plough-steering, &c.
- No. 30047.—G. W. Hutchinson, plough-lever.

Notice of Acceptance of Complete Specifications.

Patent Office,
Wellington, 20th March, 1912.

COMPLETE specifications relating to the undermentioned applications for Letters Patent have been accepted, and are open to public inspection at this office. Any person may, at any time within two months from the date of this *Gazette*, give me notice in writing of opposition to the grant of any such patent. Such notice must set forth the particular grounds of objection, and be in duplicate. A fee of 10s. is payable thereon.

The copies of claims and extracts from the specifications and drawings are merely intended to give some further indication of the invention than is disclosed in the title, and the complete specifications and drawings should be referred to for a description of the invention.

No. 28838.—7th December, 1910.—FRANK RUSSELL, of 89 King William Street, Adelaide, South Australia, Agent. Improvements in bottle-stoppers.

Claim.—A stopper of the type indicated in which the material constituting the cord is passed through a groove or channel extending down one side, and partly across the base of the cork, thence through hole to the top, over which it passes to and down another hole to a second groove extending partly across the base and up the other side of the cork, the ends of the cork being finally fastened to form a loop above the top of the cork, substantially as described and illustrated in the drawing. (Specification, 3s. 9d.)

No. 29233.—8th March, 1911.—DAVID GRAHAM WILLS, of Petersham Road, Marrickville, Sydney, New South Wales, Australia, Accountant. Improvements in folded front and outlook envelopes.*

Claim.—(1.) In a folded front and outlook envelope, the combination, with a back part, of infolding elongated flap-pieces of a combined lesser width than the said back piece, a gapped flap forming part of the said back piece, a gapped sealing-flap likewise forming part of the said back piece, sealing-surfaces on the said gapped flaps for securing both the said elongated flap-pieces and the enclosure within the envelope when the parts are infolded, the said flap-pieces when combined forming an inspection opening, as described and shown, and for the purposes set forth. (Specification, 6s. 6d.)

[NOTE.—Here follow four other claims.]

No. 29296.—21st March, 1911.—ROBERT DAVY, of Natal Spruit, near Johannesburg, Transvaal, South Africa, Chemist; FREDERICK DAVY, of Natal Spruit aforesaid, Smelter; JOHN DAVID MACKENZIE, of 50 Garden Street, Rosettenville, near Johannesburg aforesaid, Speculator; and CLEMENT STANHOPE BERTRAM, of Ampthill Avenue, Benoni, Transvaal aforesaid, Managing Director. An improved process for extracting gold from refractory ores.*

Claims.—(1.) The process for extracting gold from refractory ores which consists in heating the ore in such a manner as to maintain the volatile products of gases thereby produced in contact with the ore and to completely exclude atmospheric air, substantially as described. . . . (5.) The process for extracting gold from refractory ores which consists in reducing the ore, if necessary, and concentrating the reduced ore to separate therefrom the pyritic or refractory matter for treatment, then drying said matter, then adding powdered sulphur and powdered charcoal to the matter and intimately mixing the same therewith, then heating the admixture to a bright-red heat in such a manner as to maintain the volatile products or gases thereby produced in contact with the material and to completely exclude atmospheric air, then treating the resultant mass whilst still hot with a solution of sodium-chloride or ammonium-chloride in which the various substances are used in substantially the proportions specified. (Specification, 5s. 6d.)

[NOTE.—Here follows one other claim.]

No. 29339.—29th March, 1911.—CHARLES FREEMONT ANDERSON, of Orr Street, Queenstown, Tasmania, Australia, Plumber and Gas fitter. Improved combined acetylene-generator and gasometer.*

Claim.—(1.) In a combined acetylene-generator and gasometer, a generating-chamber located within and at the lower part of the casing of the apparatus, and having at one side an upwardly inclined feed-funnel leading to it from outside the said casing, and at opposite side, and at bottom of the said chamber and casing, a valve or gate suitable for removing the exhausted carbide and water, while from crown of generator an exit-pipe leads to the gas-holder, and said exit-pipe being furnished with a sliding perforated cap, operatable from outside the apparatus, all substantially as described and shown. (Specification, 3s. 9d.)

[NOTE.—Here follow two other claims.]

No. 29420.—19th April, 1911.—ALFRED JOHN EGGLETON, of Ohakune, New Zealand, Settler. Seasoning timber by driving out the sap.*

Extract from Specification.—The object of this invention is primarily to season timber by forcing water under pressure, preferably considerably high pressure, through the log, which is fitted with a hood to confine the water, which comes from a hose or pipe-line for the purpose, as soon after felling the said log as practicable, next to impregnate the said timber, if needed, with either or both of suitable ingredients. (Specification, 2s.)

[NOTE.—The above extract from the specification is inserted in place of the claims.]

No. 29488.—1st May, 1911.—GEORGE WILLIAM PENNEY, of Gore, New Zealand, Fellmonger. Improved detachable clasp fitting for agricultural implements, tools, and the like.*

Claims.—(1.) In improved detachable fittings for agricultural implements, tools, and the like, the combination with a handle, of a tapered metal socket-piece and parts, substantially as described and as illustrated. (2.) In improved detachable fittings for agricultural implements, tools, and the like, the combination with a handle, of a tapered metal socket-piece having a bifurcated end forming a slot, and the provision of holes in the bifurcated end for the insertion of a threaded pin or rivet for attachment purposes, substantially as described and as illustrated. (Specification, 2s. 6d.)

[NOTE.—Here follows one other claim.]

No. 29516.—9th May, 1911.—GEORGE WRAY DAVIES, of Wellington, New Zealand, Builder. Improvements in explosive compounds.*

Claims.—(1.) In explosive compounds, the treatment of a base of oxidizing metallic salts with a combustible compound consisting wholly or partly of any of the liquid amido compounds, or amines of the aromatic hydrocarbons, or of their salts, or additive or substitution products, or of mixtures thereof, substantially as specified. (2.) The improvements in explosive compounds substantially as described and explained and for the purposes specified. (Specification, 2s. 6d.)

No. 29530.—5th May, 1911.—PHILIP HENRY BEST, of Appleby, Nelson, New Zealand, Machinery Agent. An improved teat-cup for milking-machines.*

Claims.—(1.) A teat-cup for milking-machines characterized by an annular channel on the outside of the metal casing, having an externally projecting tube, and having the inner side of the channel provided with a series of holes opening into the space between the rubber inflation and the metal casing, substantially as and for the purpose set forth. (2.) A teat-cup for milking-machines constructed, arranged, and adapted to operate substantially as described and illustrated in the drawings. (Specification, 2s. 3d.)

No. 29539.—12th May, 1911.—WALTER GILBERT FOUNTAIN and WILLIAM JAMES PATERSON, Agent and Engineer respectively, both of Hamilton, Auckland, New Zealand. An automatic milk-releaser.*

Extract from Specification.—The apparatus consists, briefly, of a revolving and a stationary casting, mounted on a horizontal spindle, which castings act as a distributor to the milk, by means of ports formed in each casting being caused to correspond at the right time and so allow the milk to escape to the distributing-chambers. (Specification, 4s. 9d.)

[NOTE.—The above extract from the specification is inserted in place of the claims.]

No. 29582.—20th May, 1911.—JOHN MICHAEL ROWE, of Rangiora, New Zealand, Concrete-pipe Manufacturer. Improved bridge for street side-channels.*

Claim.—A bridge for side channels comprising a pair of flat vertically disposed side walls, one of which is adapted to form an abutment with the curbstone and surmounted by a flat upper surface at right angles thereto, and on a level with the footpath, substantially as and for the purpose set forth. (Specification, 2s. 6d.)

No. 29717.—13th June, 1911.—EDWIN PHILLIPS, of 264-268 Flinders Street, Melbourne, Victoria, Australia, Patent Attorney and Engineer (nominee of the National Machine Recorder Company, a corporation organized under the laws of the State of Maine, and having an official at Marquette Building, Chicago, Illinois, United States of America, Manufacturers of Machine Recorders, who are the assignees of Peter Albert Cooney, of Chicago, in the State of Illinois, United States of America, Inventor). Improvements in machine recorders.

Claims.—(1.) A machine of the character specified in which the record-sheet has obscuring longitudinal markings and the markers lie in constant contact with the sheet and are shifted laterally to and from the obscuring markings, so that the clock movement is subjected to uniform load. (5.) In a machine of the character specified, the two switches on the machine whose work is to be recorded, both of which must be moved to one position to show one state of the machine and either of which in the other position will show another state of the machine. (6.) A device of the character specified having a totalling-device associated with each marker and moving when the same is in one position. (Specification, £1 2s. 6d.)

[NOTE.—Here follow five other claims.]

No. 29777.—24th June, 1911.—WALTER SINTON, of Auckland, in the Dominion of New Zealand, Warehouseman. Improved means for use in fastening window-sash cords to the sashes.*

Extract from Specification.—The invention consists in the employment of a device of special form in which the sash end of the cord is fastened. This device is then adapted to be inserted in a hole formed in the face of the sash-frame, which hole is connected with the usual cord-groove in the edge of the sash by means of a passage extending between them and of a size sufficient to receive the cord. (Specification, 3s. 3d.)

[NOTE.—The above extract from the specification is inserted in place of the claims.]

No. 29878.—17th July, 1911.—JAMES STEUART WEARN, of Christchurch, New Zealand, Machinery Expert. Improvement relating to the destination-boards of tram-cars and the like.*

Claim.—(1.) A device of the character indicated, comprising a casing, a mirror upon the under-surface of the upper end thereof, a convex lens provided with a reflecting backing arranged within said casing and adapted to sight an object exterior to such casing and to reflect the image on a reduced scale upon said mirror, and means for permitting said mirror to be viewed from beneath said casing, substantially as and for the purpose set forth. (Specification, 3s. 6d.)

[NOTE.—Here follows one other claim.]

No. 29887.—18th July, 1911.—JOHN LEE SCOTT and GEORGE SCOTT, both of Christchurch, New Zealand, Engineers. An improved air-valve for gas-producers.

Extract from Specification.—This valve is used in connection with the auxiliary air-inlets into what are known as suction-gas producers, and consists of a valve-body "A," having through it an aperture "B," the outer orifice of which is closed by a self-acting hinged-flap door "C," which automatically shuts off the admission of air unless purposely kept open by some special device. As the valve is free to open outwards should there be an increase of pressure within the producer, it will act as a safety-valve should an explosion at any time take place within the producer. (Specification, 2s.)

[NOTE.—The above extract from the specification is inserted in place of the claims.]

No. 30026.—9th September, 1911.—JOHN REES JONES, of Wainui Road, Gisborne, New Zealand, Manager, Freezing-works. Improved tumbler-switch for meat-rails and the like.*

Claims.—(1.) Apparatus for the purpose indicated in which a rocker carrying rail-sections is pivoted in a casing, substantially as specified and illustrated. (2.) In apparatus for the purpose indicated, the combination of a casing, a rocker pivoted therein upon pivot-spindles, independent rail-sections upon the rocker, and means for maintaining the rocker in position relatively to the casing, substantially as specified and illustrated. (Specification, 3s.)

[NOTE.—Here follow two other claims.]

No. 30074.—23rd August, 1911.—MACPHERSON ROBERTSON, of Argyle Street, Fitzroy, Victoria, Australia, Confectionery-manufacturer. Improvements in and relating to making coated confectionery.

Claims.—(1.) A confection of the crystallized class having cooked on around a gum-drop or other suitable core, a sugar coating, substantially as described. (2.) In making confections of the class indicated, such as crystallized gum-drops, and so forth, the use of steam to cook on a sugar coating applied to the core. (3.) The mode of attaching a coating to a core by steam applications, as described, to produce a crystallized confection or the like. (Specification, 4s. 9d.)

No. 30282.—28th September, 1911.—JOHN BOURKE SALMON, Boot-factory Manager, and EBENEZER WILLIAM ROY, Warehouse Manager, both of Dunedin, New Zealand. Improved mounting for the cylindrical cutters of skiving-machines.*

Claim.—(1.) The combination with the cylindrical cutter of a skiving-machine when so worn as to have been hitherto unusable, of a cup-shaped mounting attachable to the driving-spindle of the machine, so constructed and arranged that the cutter may be used until it is wholly worn out, substantially as described. (Specification, 2s. 6d.)

No. 30464.—9th November, 1910.—GIANNI BETTINI, of 35 Avenue de l'Opera, Paris, France, Gentleman. An improved method of taking and projecting cinematographic pictures.

Claim.—(1.) A method of taking and projecting animated photographs in which an optical system is displaced in front of a photographic plate or film, characterized by the fact that the objective connected with reflecting-prisms located on either side of the photographic plate or film, which is fixed and located in a plane perpendicular to the plane of the views to be taken or of the projection-screen, moves in front of the plate or film with these prisms, in such a manner that one of the components of its movement is constantly directed in the direction of the object to be photographed or of the projection-screen. (Specification, 11s.)

[NOTE.—Here follow six other claims.]

No. 30492.—11th November, 1911.—GEORGE GIBBS, of Motueka, New Zealand, Hotelkeeper. An improved cooler for beer and other liquors.

Claims.—(1.) A cooler for beer and other liquors consisting in a cooling-chamber adapted to contain ice or other cooling-medium, a pipe coil situated therein and connected with the

liquor-conveying system, and vacuum spaces surrounding the chamber on all its sides, substantially as specified. (2.) The improved cooler for beer and other liquors substantially as described and explained, and as illustrated in the drawings. (Specification, 1s. 9d.)

No. 30684. — 3rd January, 1912. — CLAUDE STANLEY RICHARDSON, Engineer, of No. 57 Buckingham Gate, London S.W., England; FRANK PERCY RICHARDSON, Picture-dealer of No. 65 Barrowgate Road, Chiswick, London W., England; and JULES FREDERIC DEFORDT, Picture-restorer, of No. 8 Rue la Tribune, Brussels, Belgium. Improvements in variable-speed gears.

Extract from Specification.—Our invention consists in the construction and arrangement described, and one of its primary features consists in providing a fluid-apparatus by which the intermediate member may be positively driven as well as retarded, the fluid-device serving either as a fluid-brake or as a motor. By this means the fluid-device which is normally used for varying the speed may be utilized as a self-starter for the engine, or possibly even to move the vehicle short distances, a reservoir for storing the motive-pressure fluid being provided. This reservoir may be charged by the exhaust gases from the engine, or by the fluid-device when the latter is acting as a pump, or by other means. The fluid-device when acting as a motor is preferably of the expansion type. We may provide a fluid-braking device of variable stroke, and this would have the advantage that when in the zero position there would be no reciprocation of its pistons, and consequently no wear, although the benefits of its use as a self-starter for the engine would have to be sacrificed. (Specification, 8s. 6d.)

[NOTE.—The above extract from the specification is inserted in place of the claims.]

No. 30765. — 3rd February, 1911.† — CHARLES WOODLAND CHITTY, of Charlton Mill, Dover, Kent, England, Miller, and WILLIAM JAGO, of 1 Garden Court, Temple, London, England, Barrister-at-Law. Improvements in the manufacture of flour and bread.

Claims.—(1.) A process of making bread which consists in incorporating with the flour or dough before baking a small quantity of a harmless salt containing loosely combined oxygen. (2.) A process of making bread which consists in incorporating with the flour or dough before baking a small quantity of harmless persalt, such as a persulphate. (Specification, 3s. 6d.)

[NOTE.—Here follow four other claims.]

No. 30782. — 23rd January, 1912. — MARY ELIZABETH BUDGE, of Christchurch, New Zealand, Spinster. Improved head-cap for surgical and curative purposes.

Claim.—A device of the class described, comprising a plurality of non-elastic bands adapted to be passed around the sides of the head and beneath the chin, and to be drawn together with the requisite degree of tension by means of lacing arranged at the top of the head, said bands being united by means of webs in which are formed a pouch to receive the chin, substantially as and for the purpose set forth. (Specification, 3s.)

No. 30818. — 5th February, 1912. — WILLIAM CABLE, of Wellington, New Zealand, Ironfounder. Improvement in evaporating-apparatus.

Claim.—An evaporating-apparatus having both vertical and horizontal pipes, substantially as described. (Specification, 1s. 3d.)

No. 30822. — 6th February, 1912. — CHARLES JULES MÉGEVET, Manufacturer, and LUCIEN PICKER, Engineer, both of Rue Malatrex 7 and 9, Geneva, Confederation of Switzerland. Device allowing to employ heavy liquid fuels in the feeding of combustion-engines.

Claim.—(1.) A device allowing to employ heavy liquid fuels for the feeding of internal-combustion engines, comprising a tube to be connected at one end with the exhaust of an internal-combustion engine so as to be maintained at a high temperature by the exhaust gases of the engine whenever the same is running, and around of which is arranged another conduit of greater diameter for the passage of the air feeding a carburettor of usual type connected at one end of said conduit, so that the air sucked in through the carburettor is heated to a high temperature before reaching the carburettor. (Specification, 3s. 6d.)

[NOTE.—Here follow two other claims.]

No. 30823. — 6th February, 1912. — CHARLES JULES MÉGEVET, Manufacturer, and LUCIEN PICKER, Engineer, both of Rue Malatrex 7 and 9, Geneva, Confederation of Switzerland. Carburettor for internal-combustion engines.

Extract from Specification.—According to the present invention, the admission of primary and secondary air are con-

trolled by two organs, the relative position of which may at will be changed to modify the ratio of the sections of the passages for the primary and the secondary air. The said organs may further be arranged so as to allow to vary the section of the passage for the primary air without acting upon the organ controlling the admission of the secondary air, so as to allow to effect the adjustment of the carburettor for the working at full load of the motor without action on its adjustment for the working with reduced load of the motor, and *vice versa*. The invention further comprises certain arrangements of parts which will now be described with reference to the drawings showing an embodiment of the present invention and some parts of a modified form of the same. (Specification, 6s. 3d.)

[NOTE.—The above extract from the specification is inserted in place of the claims.]

No. 30824. — 6th February, 1912. — ROBERT STANISLAUS GOLDSTRAW, of Camperdown, Victoria, Australia, Dairyman. Improvements in teat-cup supports to facilitate milking.

Claim.—(1.) A teat-cup support having a cord or the like supported by pulleys on a slidable arm, each end of the cord having a hook or the like, the inner hook being weighted and self-detachable when the other hook is released, in combination with a stop on the outer part of the cord, and means for taking up slackness of the said outer part of the cord when the hooks are set in supporting position. (Specification, 4s. 6d.)

[NOTE.—Here follow five other claims.]

No. 30827. — 6th February, 1912. — GEORGE FINDLAY, of Karamu Road, Hastings, New Zealand, Baker. Improved apparatus for preventing horses from bolting.

Claim.—(2.) In apparatus for the purpose indicated, the combination of the tube fixed to the vehicle, a rod slidable telescopically therein, an arm projecting at right angles from the bottom thereof, and an arm pivoted upon the upper end, substantially as specified and illustrated. (Specification, 2s. 9d.)

[NOTE.—Here follow two other claims.]

No. 30832. — 7th February, 1912. — ARTIEBOLAGET PRIMUS, of Lilla Essingen, Stockholm, Sweden, Manufacturers (assignees of Frans Wilhelm Lindqvist, of Lilla Essingen aforesaid). An improved igniting-device for heating or illuminating apparatus working with vaporized hydrocarbon.

Extract from Specification.—Consists of a channel the side walls of which are extended upwards and perforated or provided with slits. This channel, which may be straight or more or less curved, is placed beneath or beside the vaporizer, and is filled with petroleum or other hydrocarbon, which is ignited. A wick, arranged in the channel, may be used for absorbing part of the hydrocarbon and thus facilitating its combustion. The hydrocarbon in the channel thus is burned very rapidly by reason of the ample supply of air through the perforations or slits in the side walls of the channel, thus developing a heat sufficient for initiating the vaporization of the hydrocarbon in the vaporizer of the heating or lighting apparatus. (Specification, 2s.)

[NOTE.—The above extract from the specification is inserted in place of the claims.]

No. 30846. — 9th February, 1912. — WILLIAM TURNBULL, of Lambton Quay, Wellington, New Zealand, Architect. Improvement relating to hatpins.

Extract from Specification.—According hereto, a hollow ornamental boss or casing is provided with a body-part having a serrated or notched rim, whereby spikes are formed with ends adapted to pierce the side of a hat and to be turned over or clinched inside the same. Intermediately of the spikes, tabs are formed and retain a disc of fine cork, which is held in position against a shoulder or flange near the bottom of the boss. The boss is so formed as to leave a space at the back of the cork disc, and the tapering ends of the pins pass into this space, thereby allowing the parallel part of the pin to pass into the cork and be effectively gripped. The boss is permanently fixed in position, and forms a feature in the ornamentation of the hat. (Specification, 3s.)

[NOTE.—The above extract from the specification is inserted in place of the claims.]

No. 30852. — 9th February, 1912. — FREDERICK ALFRED WILLIAM ANSELL, of Auckland, New Zealand, Tinsmith and Sheet-metal worker. An improved combination bath and stand.

Claims.—(1.) An improved bath-stand having its body-portion formed with an upper concave surface, and a rigid centre-piece connecting the supporting legs, which are formed separately or integral with the said body-portion, the bath being adapted to be either permanently or temporarily secured to said stand, in the manner and for the purpose set forth, as described and illustrated. (2.) An improved bath-stand

having its body-portion formed with an upper concave surface and provided with a rigid centre-piece connecting the supporting legs or feet, in combination with a plunge or house bath, adapted to sit in and be secured to the upper concave surface of said stand, in the manner and for the purpose set forth, as described and illustrated. (Specification, 2s.)

No. 30853.—9th February, 1912.—WILLIAM JAMES PATERSON, of Kingsland, near Auckland, New Zealand, Engineer. Improvements in rotary milk-releasers.

Extract from Specification.—The most important feature of the improvements is that the separate releaser-can is done away with altogether, and the milk and vacuum supplies are led directly to the stationary casting, so that the milk is drawn into the distributing-chambers instead of running in by gravity, the distributing-chambers also acting as releasers to the milk. The arms connecting the chambers to the revolving casting are formed with two passages to each chamber, consequently the number of ports in the revolving casting is increased, also means for regulating the speed of the revolutions of the casting are provided, together with means for preventing it from revolving too far, and also for determining the quantity of milk each chamber shall carry. (Specification, 6s. 3d.)

[NOTE.—The above extract from the specification is inserted in place of the claims.]

No. 30857.—10th February, 1912.—CHARLES MADDREN, of Christchurch, New Zealand, Rope and Twine Manufacturer. Improvements relating to machines for balling binder-twine.

Extract from Specification.—In carrying this object into effect, the construction comprises a lever pivoted at its upper extremity upon the framework of the machine and adapted when carried into a certain position to release the hand-lever controlling the clutch and so permit the latter to come out of gear with the driving-shaft of the machine. To enable it to be so operated the said lever is connected at its reverse end with a horizontal rod slideably mounted at the required position upon the framework and formed with a suitable rack. The spindle carrying the winding-mandril is produced for the required distance through the bottom of the gear-box, and is furnished at such lower extremity with a pinion, adapted when the ball is in the finishing position, to intermesh with the rack, and so during the last revolution of the winding to so operate the rod and its lever that the latter will release the hand-lever in the desired manner. (Specification, 3s. 6d.)

[NOTE.—The above extract from the specification is inserted in place of the claims.]

No. 30858.—13th February, 1912.—HANS JERNE, of 145 Farringdon Road, Finsbury, London, England, Manufacturer. Improvements relating to the conservation of eggs.

Extract from Specification.—According to this invention there is formed upon the shell of each egg a coating or layer of a composition that contains a large percentage of camphor, which, by slow evaporation during storage, maintains around the egg an antiseptic atmosphere of camphor vapour. (Specification, 4s.)

[NOTE.—The above extract from the specification is inserted in place of the claims.]

No. 30859.—13th February, 1912.—WILFRED LAWSON BULLOWS, of Long Street Works, Walsall, Stafford, England, Ironfounder. Improvements relating to wire-strainers or like stretching or tightening devices, and knotting or tying appliances employed therewith.

Extract from Specification.—According to the present invention the lever is forked at the end, to which the members carrying the grippers are attached, and the ends of the said members, connected to the forked end of the lever, are suitably shaped or disposed, so that when the apparatus is in operation they and the lever do not interfere in any way with the ends of the wires to be acted upon. The invention also comprises the use of a coupling formed with a pair of apertures or notches and suitable grooves or channels, so that it can be slipped over the two adjacent ends of wires. (Specification, 7s. 3d.)

[NOTE.—The above extract from the specification is inserted in place of the claims.]

No. 30867.—14th February, 1912.—DAVID ALFVEN, of Snickaregatan, 7 Stockholm, Sweden, Mechanical Engineer. Improvements in milking-machines.

Extract from Specification.—This invention resides mainly in this: that the teat-plates are connected by a lever-system in pairs after the manner of a balance with variable beam-arms in which the teat-plates form the scales, the pivot or pivots of the separate beam-arms of the lever-system being adjustable in suchwise that the teat-plates can be moved into and out of operative position by adjustment of these pivots. This adjustment may be effected by adjusting-arms or the like, which may form parts of a third balance-system

with variable beam-arms, in which system the pivot for the beam is mounted on a movable rod or the like, so that on the one hand all the teat-plates can be brought at once from operative into inoperative position, and *vice versa*, and on the other hand the two pairs of teat-plates can adjust themselves relatively to one another according to the different total pressures acting thereon. (Specification, 8s. 6d.)

[NOTE.—The above extract from the specification is inserted in place of the claims.]

No. 30869.—14th February, 1912.—COLIN CHARLES ROBERTSON, Factory-manager, and ARTHUR MANLEY, both of Ngaere, Taranaki, New Zealand. Improved milk-cock.

Extract from Specification.—The invention relates to a type of milk-cock, wherein is employed a curved sliding plate carried between jaws or cheeks, which are pivoted upon the main part of the cock, whereby said plate may be adjusted to regulate the size of opening or to close the outlet through said cock. In our invention the curved plate is kept upon the face of the cock by a compression-spring, which is adjustable by a cap which screws upon an extension from the bridge between the cheeks. (Specification, 1s. 9d.)

[NOTE.—The above extract from the specification is inserted in place of the claims.]

No. 30870.—14th February, 1912.—MALONE'S FASTENER, LIMITED, a company registered in the State of New South Wales, Australia, having its office at No. 107 Pitt Street, Sydney, in the State of New South Wales aforesaid (assignee of William MacQuarie Malone, of Wandii, Journalist, and John Thomas O'Neill, of Maitland Street, Storekeeper, both of Narrabri, in the State of New South Wales aforesaid). Improvements in fastenings for boots, leggings, gloves, gaiters, corsets, and the like.

Claims.—(1.) In fastenings of the class set forth, a keeper having hooks or catches adapted to engage the top of the runner, substantially as described and explained. (2.) In fastenings of the class set forth, a keeper of elongated U shape, having hooks or catches at one end and a resilient bit, or return, or junction between the limbs or members of the U, substantially as described and explained. (3.) In fastenings of the class set forth, a runner consisting of a pull-piece and hook-pieces conjoined at one of a plurality of bridge-pieces or strips, substantially as described and explained. (Specification, 5s. 6d.)

[NOTE.—Here follow three other claims.]

No. 30872.—14th February, 1912.—WILLIAM HENRY BLACKHAM, of 59-61 King Street, Melbourne, Victoria, Australia, Merchant (assignee of Harry Hubert Davey, of 44 William Street, Melbourne aforesaid, Publisher, nominee of the Modern Canner Company, of Chattanooga, Tennessee, United States of America, Manufacturers, who are the assignees of Lilford L. Lawrence, of Bridgeport, Alabama, United States of America, President of the Modern Canner Company). Improved apparatus for cooking canned products.

Claim.—(1.) An improved apparatus for cooking canned products consisting of a heating-chamber, a cooking-chamber above said heating-chamber, and a hot-air chamber in communication with the heating-chamber and disposed within the cooking-chamber to provide a water-space. (Specification, 3s. 6d.)

[NOTE.—Here follow two other claims.]

No. 30874.—14th February, 1912.—JOHN ROSS, Jun., of Te Pahu, Auckland, New Zealand, Farmer. An improved froth-preventer for skim-milk and the like.

Extract from Specification.—The milk flows through the milk-pipe leading from the pump into a suitably shaped bowl or receptacle, preferably of an elliptical form, but in doing so it passes a conical-shaped valve normally retained upon a seating by means of a coil spring upon the spindle thereof. The fluid as it flows past the valve is thinly spread in all directions against the sides of the bowl, thus breaking up any froth that may be contained in the milk or other liquid. (Specification, 2s. 3d.)

[NOTE.—The above extract from the specification is inserted in place of the claims.]

No. 30877.—13th February, 1912.—MICHAEL REINSTEIN, of 18 Denmark Street, Charing Cross Road, St. Giles, Middlesex, London W.C., England, Hairdresser. Improvements in washable brushes.

Claims.—(1.) Plaiting, interlacing, or braiding tufts or strands of any length of real or imitation hair, bristles, or fibre, or like material, with two or more threads of a washable nature, and sewing or fastening by any other means on to one or more edges of one or more pieces of washable material used for towelling or suchlike purpose for the manufacture of brushes, as described. (2.) The invention relating to completely washable brushes substantially as described and explained in the specification and as illustrated in the drawings. (Specification, 2s.)

No. 30892.—17th February, 1912.—**INIA RANGINUI**, of Kakahi, King-country, New Zealand, Settler. Improvements in billiard and the like tables.

Extract from Specification.—Means are provided whereby the player may at his will make either end of the chute to be the delivery-end, and whereby the ball may be saved from damage on falling from the table to the chute.

(Specification, 3s. 9d.)

[NOTE.—The above extract from the specification is inserted in place of the claims.]

Copies of drawings may be obtained at the uniform price of 1s. each. In exceptional cases this price may be increased at the discretion of the Office.

An asterisk (*) denotes the complete specification of an invention for which a provisional specification has been already lodged. A dagger (†) denotes a prior date upon the International and Intercolonial Arrangements.

NOTE.—The cost of copying the specification has been inserted after the notice of each application. An order for a copy or copies should be accompanied by a post-office order or postal note for the cost of copying.

The date of acceptance of each application is given after the number.

Extracts from the drawings accompanying the foregoing complete specifications appear at the end of the *Gazette*.

J. C. LEWIS,
Registrar.

Provisional Specifications accepted.

Patent Office,
Wellington, 14th March, 1912.

APPPLICATIONS for Letters Patent, with provisional specifications, have been accepted as under:—

- No. 30282.—J. B. Salmon and E. W. Roy, skiving-machine cutter and mounting.
No. 30678.—G. L. Goodin, plough-attachment.
No. 30836.—R. Stavelly and D. C. Du Noe, target.
No. 30840.—W. Barraclough and A. T. W. Allan, animal-feed bag.
No. 30847.—P. Perry and W. Bourdôt, hat, &c., pin.
No. 30848.—W. Jacobsen, J. D. Cameron, and F. J. Lough, s.r.-et, &c., indicator.
No. 30849.—W. Pratley, bricklayers' derrick.
No. 30850.—A. Hamilton, fly-wheel and winch.
No. 30851.—R. M. Baddeley, hand-shield for brush.
No. 30855.—C. J. Tuck, milking-machine claw.
No. 30856.—D. Park, hatpin.
No. 30860.—A. Ferguson, debt-collecting record-card.
No. 30863.—C. J. Clayton, packing lard, &c.
No. 30868.—N. J. Daysh, milking-machine pulsator, &c.
No. 30873.—D. W. Macdonald, vehicle body adjusting.
No. 30882.—W. Beamish, closet-flush.
No. 30891.—F. A. L. Wells, lifeboat.
No. 30907.—J. T. Mair, household weigher and measurer.
No. 30916.—C. R. Trinder, saucepan.

[NOTE.—Provisional specifications cannot be inspected, or their contents made known by this office in any way, until the complete specifications in connection therewith have been accepted.]

Letters Patent sealed.

LIST of Letters Patent sealed from the 25th February to the 14th March, 1912, inclusive:—

Nil.

Letters Patent on which Fees have been paid.

[NOTE.—The dates are those of the payments.]

SECOND-TERM FEES.

LIST of Letters Patent on which fees have been paid from the 1st to the 14th March, 1912, inclusive:—

- No. 24087.—R. A. Martin, clothes-line. 1st March, 1912.
No. 24116.—J. H. Hutchinson, merchandise, &c., transporting. 11th March, 1912.
No. 24172.—United Shoe Machinery Company, pulling-over machine. (O. Ashton.) 13th March, 1912.
No. 24173.—United Shoe Machinery Company, sewing-machine. (J. R. Scott.) 13th March, 1912.

No. 24325.—United Shoe Machinery Company, boot and shoe machine. (R. F. McFeely.) 13th March, 1912.

No. 24326.—United Shoe Machinery Company, boot and shoe machine. (R. F. McFeely.) 13th March, 1912.

No. 24327.—United Shoe Machinery Company, shoe-upper lacing-machine. (H. E. Enslin.) 13th March, 1912.

No. 24328.—United Shoe Machinery Company, boot and shoe machine. (A. Bates.) 13th March, 1912.

No. 24329.—United Shoe Machinery Company, fastener, &c., inserting machine. (G. Goddu.) 13th March, 1912.

No. 24330.—United Shoe Machinery Company, insole preparation and machine. (J. Cavanagh, jun.) 13th March, 1912.

No. 24334.—W. E. Garforth, coal-mine, &c., respiration apparatus. 6th March, 1912.

No. 24335.—W. E. Garforth, coal-mine, &c., respiration-apparatus head-gear. 6th March, 1912.

No. 24402.—C. W. Graham, coiling and uncoiling wire. 12th March, 1912.

No. 25884.—A. R. Angus, railway-train-collisions preventing. 13th March, 1912.

THIRD-TERM FEES.

No. 19164.—H. M. Douglas, loose-leaf account-book. 4th March, 1912.

No. 19221.—Hendryx Electro Cyanide Company, ore-treating. (W. A. Hendryx.) 13th March, 1912.

No. 19222.—Hendryx Electro Cyanide Company, metal extracting and agitating. (W. A. Hendryx.) 13th March, 1912.

No. 19271.—United Shoe Machinery Company, perforating-machine. (L. W. G. Flynt.) 13th March, 1912.

No. 19272.—United Shoe Machinery Company, fastener, &c., inserting machine. (L. A. Casgrain.) 13th March, 1912.

No. 19273.—United Shoe Machinery Company, sewing-machine presser-foot. (E. E. Winkley.) 13th March, 1912.

No. 19368.—United Shoe Machinery Company, heels and heel-nailing machine. (W. H. Taylor.) 13th March, 1912.

No. 19756.—La Société Anonyme Westinghouse and M. Le Blanc, refrigerating-apparatus. (J. T. Hunter.) 13th March, 1912.

Subsequent Proprietors of Letters Patent registered.

[NOTE.—The name of the former proprietor is given in brackets; the date is that of registration.]

NOS. 20414 and 24352.—Associated Fire Alarms, Limited, having its registered office at Jewin House, Redcross Street, London E.C., England. Fire alarm. (Pearson Fire Alarm, Limited—A. H. McNeil.) 13th March, 1912.

Nos. 24886 and 26660.—The Gane Milking Machine Company, Limited, whose registered office is situate in Bridge Street, Epsom, New Zealand, Milking-machine. (C. E. Gane.) 13th December, 1911.

No. 25761.—Richard Johnson Clapham and Morris, Limited, of 24 and 26 Lever Street, Manchester, England, Metal Merchants and Manufacturers. Reinforcing material for brickwork. (W. H. Johnson.) 13th March, 1912.

No. 27590.—Thomas George Stirrat, Accountant; William Henry Vagg, Commercial Agent; Henry Burton, Journalist; and John Reid, Merchant, all of Brisbane, Queensland, Australia. Preservation of food. (L. Fulda.) 19th December, 1911.

No. 29078.—United Shoe Machinery Company, of Paterson, in the State of New Jersey, United States of America, a corporation duly organized under the laws of said State of New Jersey, and having a place of business at 205 Lincoln Street, Boston, Massachusetts, United States of America. Press. (H. H. Eaton.) 14th December, 1911.

Request for Correction of Clerical Error in Application for Letters Patent allowed.

THE request to correct the title in application for Letters Patent No. 29854—as advertised in Supplement to *New Zealand Gazette*, No. 102, of the 14th December, 1911—has been allowed.

Application for Letters Patent opposed.

NOTICE of opposition has been filed in the following case:—

No. 30654.—R. Brown, soap-manufacture. Opposed by Warnock Bros.

Applications for Letters Patent abandoned.

LIST of applications with which provisional specifications only have been filed, abandoned (*i.e.*, complete specifications not lodged) from the 1st to the 14th March, 1912, inclusive:—

- No. 28996.—E. T. C. Firth, wind and water motor.
 No. 29468.—A. McLaughlin, cradle-frame.
 No. 29469.—W. J. Sparks, attaching leading-chains to spreaders.
 No. 29474.—R. Hardie, candle-extinguisher.
 No. 29475.—W. F. Lietz, internal-combustion engine.
 No. 29477.—E. D. Berry, regenerative apparatus for utilizing heat.
 No. 29484.—H. Luks, ammeter and voltmeter.
 No. 29486.—R. S. Mander, milk-releaser.
 No. 29498.—W. L. Roberts, drainpipe-cleaner.
 No. 29504.—A. R. Gray, hatpin-point protector.
 No. 29506.—J. A. Walker, attaching sash-cords to window.
 No. 29508.—A. E. Norrie, artificial decoy for game-shooting.
 No. 29511.—M. U. Dennison, dress-shield.
 No. 29513.—S. G. Pirani, tire-cover. (C. Marriott.)
 No. 29515.—G. T. Booth, teat-cup.
 No. 29518.—W. A. Fraser, manufacture of white-lead. (W. Somerville.)
 No. 29521.—W. J. Marsom, gate.
 No. 29522.—C. F. Olson and J. Harrington, egg-tester.
 No. 29531.—W. Reeves, swingletree.
 No. 29532.—C. Toon, gas-main closing.
 No. 29534.—R. M. Simpson, centrifugal separator.
 No. 29535.—A. Behrns, turnip digger and slicer.
 No. 29538.—J. A. Walker, closet-pan cover.
 No. 29540.—N. Andrew, coal-washer. (Campbell Gas Engine Company, Limited—H. Campbell.)
 No. 29549.—A. H. Wright, water heater and generator.
 No. 29551.—W. Morton, boot cleaning and polishing stand.
 No. 29557.—A. T. Crosher, electric-lamp-shade carrier.
 No. 29558.—A. T. Crosher, electric plug and adapter.
 No. 29559.—A. T. Crosher, electric-lamp holder.
 No. 29560.—A. T. Crosher, electric-lamp holder.

Applications for Letters Patent void.

APPPLICATIONS for Letters Patent, with which complete specifications have been lodged, void owing to non-acceptance of such complete specifications, from the 1st to the 14th March, 1912, inclusive:—

- No. 28809.—P. O'Donnell and G. Marchesi, brake.
 No. 28835.—H. V. Johansen, lift-guard.

Applications for Letters Patent lapsed.

APPPLICATIONS for Letters Patent lapsed, owing to Letters Patent not being sealed, from the 1st to the 14th March, 1912, inclusive:—

- No. 28832.—C. S. Eagle, collapsible box.
 No. 28872.—H. Allott, fencing-post ventilator.
 No. 28876.—R. W. de Montalk, surveying peg.
 No. 28895.—N.Z. Hemp Process and By-Products Company, Limited, flax-dryer. (W. G. Richardson.)
 No. 28423.—C. D. Grey, carbon.

Letters Patent void.

LIST of Letters Patent void through non-payment of renewal fees, and through expiry of term of fourteen years, from the 1st to the 14th March, 1912, inclusive:—

THROUGH NON-PAYMENT OF SECOND-TERM FEES

- No. 28775.—J. Slater, traffic signal-flag.
 No. 28781.—W. J. L. Morton, wool-winding machine.
 No. 28782.—H. M. Hardy, securing sash-cords.
 No. 28784.—W. J. Crossley and T. Rigby, gas-manufacture.
 No. 28785.—F. Sara, animal-trap.
 No. 28789.—E. Henshall, friction-hoist.
 No. 28799.—R. C. Gardiner, gas-burner.
 No. 28805.—J. McHalick, implement for road formation.
 No. 28810.—Kitson Lighting and Heating Company of Queensland, Limited, supplying pressure to oils. (J. W. Sutton.)
 No. 28815.—A. Zabriske, fibre-preparing machine.
 No. 28819.—Karam Soap Company, Limited, manufacture of soap. (M. R. A. Samuel and A. A. Lockwood.)
 No. 28820.—Huntley and Palmers, Limited, dough-working apparatus. (W. Palmer and F. E. Blackmore.)
 No. 28825.—J. C. L. Campbell, treatment of fruit.

- No. 28826.—H. L. Finnis, docking and branding iron.
 No. 28259.—G. E. Taylor, sterilizing preservative.
 No. 25296.—Metals Extraction Corporation, Limited, separation of zinc from ores. (W. Hommel and H. L. Sulman.)
 No. 25309.—R. Raby, tap for liquids and gases.
 No. 25312.—C. V. Boys and J. W. Tierney, producing rapid reciprocating motion.

THROUGH NON-PAYMENT OF THIRD-TERM FEES.

- No. 18828.—J. J. Strain, gas-stove.
 No. 18853.—C. J. Alexander, gas-burner.
 No. 18855.—A. G. R. Williams, basting-apparatus.
 No. 18859.—T. Gare, wood-treating solution.
 No. 18861.—Lamp Manufacturing Company, Limited, oil-lamp. (W. H. I. Welch.)

THROUGH EXPIRY OF TERM.

- No. 10397.—J. Hudson and F. Cooper, switch for overhead rails.
 No. 10403.—Mond Nickel Company, Limited, obtaining metallic nickel. (L. Mond.)

Designs registered.

DESIGNS have been registered in the following names on the dates mentioned:—

- Nos. 568 and 569.—J. P. Cochrane and Co., of Murano Works, Albert Street, Edinburgh, Scot., Golf-ball Manufacturers. Class 3. 27th February, 1912.
 Nos. 570, 571, 572, 573, 574, 575, 576.—Henry Eli White, of Wellington, N.Z., Structural Engineer. Class 1. 29th February, 1912.
 No. 577.—Witting Bros., Limited, of 49 Cannon Street, London, Eng., Merchants. Class 4. 6th March, 1912.

Design expired.

THE copyright in the following design has expired:—
 No. 317.—J. Trevethick, of Auckland, N.Z. Class 3.

Applications for Trade Marks filed.

LIST of applications for registration of Trade Marks filed from the 1st to the 14th March, 1912, inclusive:—

- No. 10265.—1st March.—Burrows Bros., Gore, N.Z. Class 46.
 No. 10266.—2nd March.—Biofix Limited, London, Eng. Class 8.
 No. 10267.—2nd March.—Willys-Overland Company, Toledo, U.S.A. Class 22.
 Nos. 10268 and 10269.—4th March.—Beath and Co., Limited, Christchurch, N.Z. Classes 24 and 38.
 No. 10270.—5th March.—G. H. Baylis, Wellington, N.Z. Class 48.
 No. 10271.—6th March.—A. Lyle and Sons, Limited, London, Eng. Class 42.
 No. 10272.—7th March.—R. I. Clark and Co. (Australia), Limited, Sydney, N.S.W. Class 1.
 No. 10273.—7th March.—Donaghy's Rope and Twine Company, Limited, Dunedin and elsewhere, N.Z. Class 50.
 No. 10274.—8th March.—Meccano Limited, Liverpool, Eng. Class 8.
 No. 10275.—8th March.—Were Bros., Christchurch, N.Z. Class 43.
 No. 10276.—8th March.—C. C. Wakefield and Co., London, Eng. Class 47.
 No. 10277.—9th March.—F. Sanford and J. J. Clark, Auckland, N.Z. Class 3.
 No. 10278.—9th March.—Bing, Harris, and Co., Limited, Dunedin, N.Z. Class 50.
 No. 10279.—9th March.—A. Murdoch and Co., Wellington, Dunedin, and Auckland, N.Z. Class 42.
 No. 10280.—9th March.—J. G. Yager, Christchurch, N.Z. Class 38.
 No. 10281.—11th March.—California Fruit Cannery Association, San Francisco, U.S.A. Class 42.
 No. 10282.—11th March.—Wellington Cordage Company, Limited, Wellington, N.Z. Class 50.
 Nos. 10283 and 10284.—11th March.—Thompson Bros., Limited ("Gem Packing Company"), Wellington, N.Z. Classes 42 and 47.
 No. 10285.—12th March.—Harrison Bros. and De Roo, Christchurch, N.Z. Class 50.
 No. 10286.—12th March.—Mitre Polish Company, Limited, Liverpool, Eng. Class 50.
 No. 10287.—12th March.—Irish Linen Mesh Company, Limited, Belfast, Ireland. Class 38.

No. 10298.—12th March.—Hall Manufacturing Company, Limited, Wellington, N.Z. Class 42.
 No. 10289.—12th March.—Clark Thread Company, Newark, U.S.A. Class 23.
 No. 10290.—12th March.—Ozonair Limited, London, Eng. Class 6.
 No. 10291.—13th March.—Nugget Polish Company of New Zealand, Limited, Christchurch, N.Z. Class 40.
 No. 10292.—13th March.—W. Massey, Ihumateao, N.Z. Class 13.
 No. 10293.—14th March.—W. F. Durward and Co., Limited, Palmerston North, N.Z. Class 34.
 Nos. 10294 and 10295.—14th March.—Cudahy Packing Company, Chicago, South Omaha, Nebraska, U.S.A., and elsewhere. Classes 47 and 50.

Applications for Registration of Trade Marks.

Patent Office,
 Wellington, 14th March, 1912.

A PPLICATIONS for registration of the following Trade Marks have been received. Notice of opposition to the registration of any of these applications may be lodged at this office within two months of the date of this *Gazette*. Such notice must be in duplicate, and accompanied by a fee of £1.

No. of application : 9587.
 Date : 27th April, 1911.

TRADE MARK



The essential particulars of the trade mark are as follows—the copy of the written signature and the combination of devices; and the applicants disclaim any right to the exclusive use of the added matter save and except their name.

NAME.

The firm trading as "PETER F. HEERING," of Overgaden Vandet No. 166, Copenhagen, Denmark, Manufacturers of Cherry-brandy.

No. of class : 43.
 Description of goods : Kirsebaer liqueur or cherry-brandy.

No. of application : 9836.
 Date : 15th August, 1911.

TRADE MARK.

EXAINO

NAME.

HOMOCEA LIMITED, of 4 and 5 Scrubb's Lane, Willesden Junction, London, England, Proprietary-article Manufacturers.

No. of class : 3.
 Description of goods : Chemical substances prepared for use in medicine and pharmacy.

No. of application : 9867.
 Date : 26th August, 1911.

TRADE MARK.

The word

WHYTO.

NAME.

MARSHALL'S PROPRIETARY COMPANY, LIMITED, of Dunedin, in the Dominion of New Zealand, Chemical-manufacturers.

No. of class : 50.
 Description of goods : A preparation for cleaning straw hats, &c.

No. of application : 10174.
 Date : 15th January, 1912.

TRADE MARK.



The essential particulars of this trade mark are the distinctive device and the words "Five point star"; and any right to the exclusive use of the added matter is disclaimed. No claim is made to the exclusive use of a representation of a lead-headed nail.

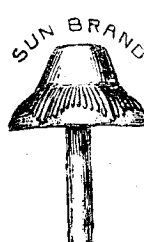
NAME.

JOSEPH VENABLES, of 163 Moorhouse Avenue, Christchurch, in the Dominion of New Zealand, Nail-manufacturer.

No. of class : 13.
 Description of goods : Lead-headed nails.

No. of application : 10175.
 Date : 15th January, 1912.

TRADE MARK.



The essential particulars of this trade mark are the distinctive device and the word "Sun"; and any right to the exclusive use of the added matter is disclaimed. No claim is made to the exclusive use of a representation of a lead-headed nail.

NAME.

JOSEPH VENABLES, of 163 Moorhouse Avenue, Christchurch, in the Dominion of New Zealand, Nail-manufacturer.

No. of class : 13.
 Description of goods : Lead-headed nails.

No. of application : 10183.
 Date : 16th January, 1912.

TRADE MARK.

KING OF THE ROAD

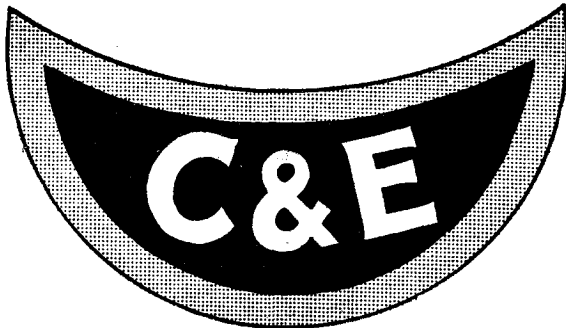
NAME.

JOSEPH LUCAS, LIMITED, of Great King Street, in the City of Birmingham, England, Manufacturers.

No. of class : 13.
 Description of goods : Cycle and motor-car accessories included in this class.

No. of application: 10227.
Date: 15th February, 1912.

TRADE MARK.



The essential particular of this trade mark is the device of a crescent within a crescent; and any right to the exclusive use of any added matter is disclaimed.

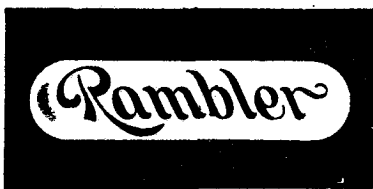
NAME.

THE CAMPBELL AND EHRENFRIED COMPANY, LIMITED, of the City of Auckland, in the Dominion of New Zealand, Merchants.

No. of class: 43.
Description of goods: Beer, ale, stout, half and half, and cider.

No. of application: 10240.
Date: 23rd February, 1912.

TRADE MARK.



The essential particular of this trade mark is the word "Rambler."

NAME.

THE THOMAS B. JEFFERY COMPANY, a corporation of the State of Wisconsin of Kenosha, State of Wisconsin, United States of America, Manufacturers.

No. of class: 22.
Description of goods: Automobiles.

No. of application: 10248.
Date: 27th February, 1912.

TRADE MARK.



The essential particular of this trade mark is the word "Glystrona"; and applicants disclaim any right to the exclusive use of the added matter except their name.

NAME.

BEATH AND Co., LIMITED, of 146, 148, 150 Cashel Street, Christchurch, in the Dominion of New Zealand, Drapers, Mercers, Clothiers, and Tailors.

No. of class: 34.
Description of goods: Dress-fabrics, wool taffetas, wool and cotton taffetas, and blouse-fabrics included in this class.

No. of application: 10249.
Date: 27th February, 1912.

TRADE MARK.



The essential particular of this trade mark is the word "Prima" contained within two concentric circles; and any right to the exclusive use of the added matter is disclaimed.

The applicant claims that the said trade mark has been in use by him and his predecessors in business in respect of the articles mentioned from 27th August, 1889.

NAME.

GEORGE THOMAS HAWKINS, of Waukerz Boot-factory, Overstone Road, Northampton, England, Manufacturer.

No. of class: 38.
Description of goods: Boots and shoes.

No. of application: 10252.
Date: 28th February, 1912.

TRADE MARK.

The word
VI-OATTA.

NAME.

JAMES WATERS, of 20 Princes Street, Dunedin, in the Dominion of New Zealand, Chemist.

No. of class: 48.
Description of goods: All articles included in this class.
[NOTE.—Class 48 is for "Perfumery (including toilet articles, preparations for the teeth and hair, and perfumed soap)."]

No. of application: 10254.
Date: 28th February, 1912.

TRADE MARK.



The essential particular of the trade mark is the following—the word "Penslar"; and any right to the exclusive use of the added matter is disclaimed.

NAME.

PENINSULAR CHEMICAL COMPANY, a corporation organized under the laws of the State of Michigan, and having its principal offices and place of business located at the corner of Lafayette Boulevard and Brooklyn Avenue, in the City of Detroit, County of Wayne, State of Michigan, one of the United States of America, Manufacturers.

No. of class: 3.
Description of goods: Medicinal and pharmaceutical preparations and compounds for human use.

No. of application: 10257.
Date: 29th February, 1912.

TRADE MARK.

GOLDEN FLEECE.



The essential particulars of this trade mark are the words "Golden fleece" and the device of a ram's head.

NAME.

MILLER, MIDLANE, AND Co., of Victoria Street, Wellington, in the Dominion of New Zealand, Woollen-merchants.

No. of class: 24.
Description of goods: Cotton piece-goods.

No. of application: 10258.
Date: 29th February, 1912.

TRADE MARK.
GOLDEN FLEECE.



The essential particulars of this trade mark are the words "Golden fleece" and the device of a ram's head.

NAME.

MILLER, MIDLANE, AND Co., of Victoria Street, Wellington, in the Dominion of New Zealand, Woollen-merchants.

No. of class: 27.
Description of goods: Linen piece-goods.

No. of application: 10260.
Date: 29th February, 1912.

TRADE MARK.
GOLDEN FLEECE.



The essential particulars of this trade mark are the words "Golden fleece" and the device of a ram's head.

NAME.

MILLER, MIDLANE, AND Co., of Victoria Street, Wellington, in the Dominion of New Zealand, Woollen-merchants.

No. of class: 31.
Description of goods: Silk piece-goods.

No. of application: 10261.
Date: 29th February, 1912.

TRADE MARK.
The words
GOLDEN FLEECE.

The essential particulars of this trade mark are the words "Golden fleece."

NAME.

MILLER, MIDLANE, AND Co., of Victoria Street, Wellington, in the Dominion of New Zealand, Woollen-merchants.

No. of class: 34.
Description of goods: Serges, fancy suitings, and all other articles included in this class.

No. of application: 10262.
Date: 29th February, 1912.

TRADE MARK.

William John Millar

The essential particular of this trade mark is the written signature.

NAME.

WILLIAM JOHN MILLAR, of Havelock North, Hawke's Bay, in the Dominion of New Zealand, Blacksmith.

No. of class: 3.
Description of goods: Ointment.

No. of application: 10264.
Date: 29th February, 1912.

TRADE MARK.

Selyab Ho

NAME.

GEORGE HENRY BAYLES, of 89 Revans Street, Wellington, in the Dominion of New Zealand.

No. of class: 48.
Description of goods: All goods included in this class.

[NOTE.—Class 48 is for "Perfumery (including toilet articles, preparations for the teeth and hair, and perfumee soap)."]

No. of application: 10265.
Date: 1st March, 1912.

TRADE MARK.



The essential particular of this trade mark is the distinctive label, ticket, or placard.

NAME.

BURROWS Bros., of Gore, in the Dominion of New Zealand, Nurserymen.

No. of class: 46.
Description of goods: Trees, shrubs, bushes, and the like.

No. of application: 10266.
Date: 2nd March, 1912.

TRADE MARK.

Biofix

The essential particular of this trade mark is the invented word "Biofix."

NAME.

BIOFIX LIMITED, of 14 and 15 Conduit Street, London W., England, Manufacturers and Dealers.

No. of class: 8.

Description of goods: Apparatus for the reproduction of moving or still pictures.

No. of application: 10270.
Date: 5th March, 1912.

TRADE MARK.



The essential particular of this trade mark is the distinctive label.

NAME.

GEORGE HENRY BAYLIS, of 89 Revans Street, Wellington, in the Dominion of New Zealand, Agent.

No. of class: 48.

Description of goods: Face-creams.

No. of application: 10273.
Date: 7th March, 1912.

TRADE MARK.



The essential particular of this trade mark is a yellow thread laid up with the yarns forming the rope or cordage.

NAME.

DONAGHY'S ROPE AND TWINE COMPANY, LIMITED, of Dunedin and elsewhere, in the Dominion of New Zealand.

No. of class: 50.

Description of goods: Rope and cordage of every description included in this class.

No. of application: 10274.
Date: 8th March, 1912.

TRADE MARK.

The word

MECCANO.

The essential particular of this trade mark is the word "Meccano."

NAME.

MECCANO LIMITED, of 274 West Derby Road, Liverpool, England, Manufacturers.

No. of class: 8.

Description of goods: Apparatus for teaching, such as constructional toys and working-models.

No. of application: 10276.
Date: 8th March, 1912.

TRADE MARK.

CASTROL

NAME.

C. O. WAKEFIELD AND COMPANY, of 27 Cannon Street, London, England, Manufacturers.

No. of class: 47.

Description of goods: Oils for heating, lighting, and lubricating.

No. of application: 10290.
Date: 12th March, 1912.

TRADE MARK.

OZONAIR

NAME.

OZONAIR LIMITED, of 96 Victoria Street, Westminster, London, England, Manufacturers.

No. of class: 6.

Description of goods: Apparatus for producing ozone.

No. of application: 10291.
Date: 13th March, 1912.

TRADE MARK.

The word

"NUGGET."

The essential particular of this trade mark is the word "Nugget" in inverted commas.

NAME.

THE NUGGET POLISH COMPANY OF NEW ZEALAND, LIMITED, of Christchurch, in the Dominion of New Zealand.

No. of class: 40.

Description of goods: Rubber heels.

No. of application: 10292.
Date: 13th March, 1912.

TRADE MARK.

The word

MASSYDON.

NAME.

WELLESLEY MASSEY, of Ihumateao, Mangere, Auckland, in the Dominion of New Zealand, Farmer.

No. of class: 13.

Description of goods: Wire-strainers.

J. C. LEWIS,
Registrar.

Trade Marks registered.

- LIST of Trade Marks registered from the 1st to the 14th March, 1912, inclusive:—
- No. 8006/9402.—A. Dunbar. Class 50. (*Gazette* No. 18, of the 9th March, 1911.)
 - No. 8007/9611.—H. J. Heinz Company. Class 42. (*Gazette* No. 88, of the 2nd November.)
 - No. 8008/10017.—J. Nowill and Sons. Class 12. (*Gazette* No. 88, of the 2nd November.)
 - No. 8009/9891.—C. Dahl and Co., Limited. Class 7. (*Gazette* No. 79, of the 5th October.)
 - No. 8010/9485.—M. Colbran. Class 3. (*Gazette* No. 28, of the 6th April.)
 - No. 8011/10057.—Hollins Mill Company, Limited. Class 24. (*Gazette* No. 102, of the 14th December.)
 - No. 8012/9428.—Wallest and Finlayson's Auckland Bedstead Company, Limited. Class 41. (*Gazette* No. 28, of the 6th April.)
 - No. 8013/10060.—Donaghy's Rope and Twine Company, Limited. Class 50. (*Gazette* No. 99, of the 1st December.)
 - No. 8014/9429.—Thomson, Bridger, and Co., Limited. Class 50. (*Gazette* No. 18, of the 9th March, 1911.)
 - No. 8015/9611.—Tootal, Broadhurst, Lee Company, Limited. Class 25. (*Gazette* No. 91, of the 16th November.)
 - No. 8016/9875.—Bond and Bell. Class 47. (*Gazette* No. 72, of the 7th September.)
 - No. 8017/10061.—A. Jack. Class 42. (*Gazette* No. 99, of the 1st December.)
 - No. 8018/10102.—J. M. Hignett. Class 2. (*Gazette* No. 3, of the 11th January.)

Nos. 8019/10118 and 8020/10119.—Nielson and Maxwell, Limited. Classes 1 and 2. (*Gazette* No. 3, of the 11th January.)

No. 8021/10103.—J. M. Hignett. Class 3. (*Gazette* No. 3, of the 11th January.)

Nos. 8022/9417 and 8023/9412.—Burmah Oil Company, Limited. Class 47. (*Gazette* No. 3, of the 11th January.)

No. 8024/9666.—C. McPhee and Co. Class 34. (*Gazette* No. 50, of the 15th June.)

No. 8025/9408.—F. L. Martin. Class 3. (*Gazette* No. 33, of the 20th April.)

No. 2219/1778.—2nd December, 1897.—A. L. Joseph, Upper Riccarton, N.Z. Class 42.

No. 2222/1770.—6th December, 1897.—Skelton, Frostick, and Co., Christchurch, N.Z. Class 38.

No. 2224/1780.—9th December, 1897. H. Moreau, Sydney, N.S.W. Class 43.

Subsequent Proprietor of Trade Marks registered.

[NOTE.—The name of the former proprietor is given in brackets; the date is that of registration.]

NOS. 2184/1743, 2268/1841, 2323/1842, 2965/2387, and 4961/4328.—J. B. Gilbert and Sons, Limited, of Wanganui, New Zealand. 19th November, 1911.

No. 2209/1788.—The Firth Pumice Company, Limited, a company incorporated under the Companies Acts, and having its registered office at Auckland, New Zealand. (J. C. Firth.) 21st December, 1911.

Trade Mark Renewal Fees paid.

FEEES paid for the renewal of the undermentioned Trade Marks for fourteen years from the date first mentioned:—

No. 2333/1850.—6th April, 1912.—The Colombo Commercial Company, Limited, Colombo, Ceylon. 6th March, 1912.

No. 2361/1888.—13th May, 1912.—T. and W. Smith, Newcastle-on-Tyne, Eng. 6th March, 1912.

No. 2366/1886.—17th May, 1912.—A. and T. Burt, Limited, Dunedin, N.Z. 5th March, 1912.

No. 2421/1921.—18th July, 1912.—H. Tate and Sons, Limited, London and Liverpool, Eng. 6th March, 1912.

Nos. 2513/1978 and 2514/1979.—29th October, 1912.—Vinolia Company, Limited (Incorporated 1899), London, Eng. (Vinolia Company, Limited.) 6th March, 1912.

Nos. 2545/2008 and 2546/2009.—10th December, 1912.—Vinolia Company, Limited (Incorporated 1899), London, England. (Vinolia Company, Limited.) 6th March, 1912.

No. 3239/2549.—4th December, 1914.—Vinolia Company, Limited, London, Eng. 6th March, 1912.

Trade Marks removed from the Register.

TRADE Marks removed from the Register owing to the non-payment of the renewal fees, from the 1st to the 14th March 1912, inclusive:—

No. 2218/1777.—1st December, 1897.—O. Grünwald, Perth, W. Aust. Class 13.

Applications for Trade Marks abandoned or refused.

LIST of applications for registration of Trade Marks abandoned or refused from the 31st January to the 4th March, 1912, inclusive:—

No. 9079.—11th October, 1910.—John Yates and Co., Limited, of Birmingham, England. Class 12.

No. 9080.—11th October, 1910.—John Yates and Co., Limited, of Birmingham, England. Class 13.

No. 9088.—13th October, 1910.—R. W. Cameron and Co., of Sydney, N.S.W. Class 47.

No. 9368.—16th January, 1911.—Hayward Bros. and Co., Limited, of Christchurch, N.Z. Class 42.

No. 9309.—16th January, 1911.—Robert Kearsley and Co., Limited, of Ripon, England. Class 1.

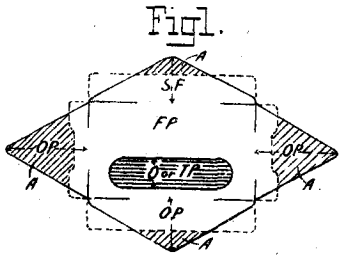
No. 9329.—19th January, 1911.—E. Broughton, of Wellington, N.Z. Class 42.

No. 10036.—2nd November, 1911.—Dietrich Teewes (trading as "J. Dirlam and Sons"), of Sydney, N.S.W. Class 12.

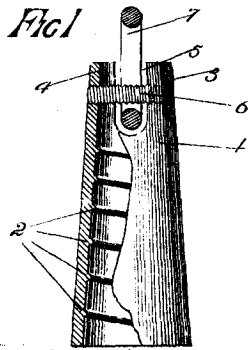
J. C. LEWIS,
Registrar.

ILLUSTRATIONS OF INVENTIONS.

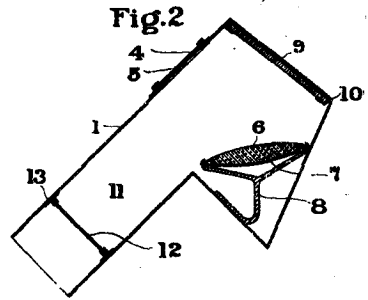
[These illustrations refer to the complete specifications accepted, and advertised in this Gazette.]



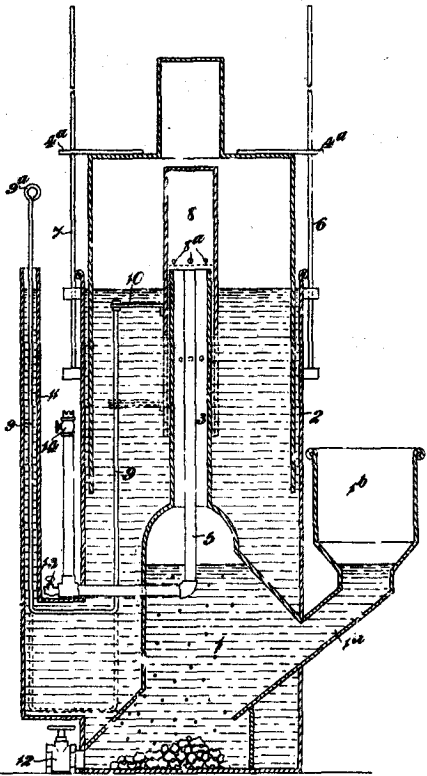
Envelope Mills. 29233.



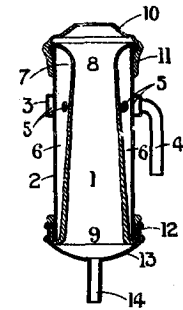
Clasp fitting for agricultural implement. Terry. 29488.



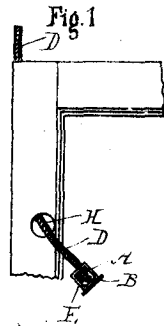
Tram car destination board. Hearn. 29878.



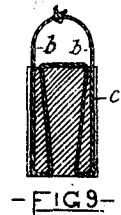
Acetylene generator &c. Anderson. 29339.



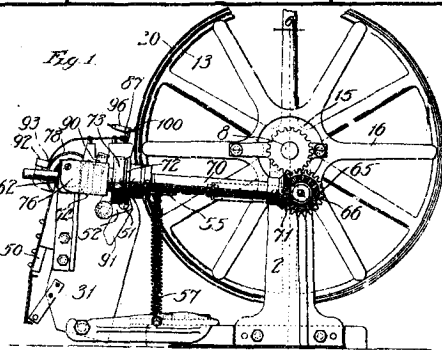
Patent Post. 29530.



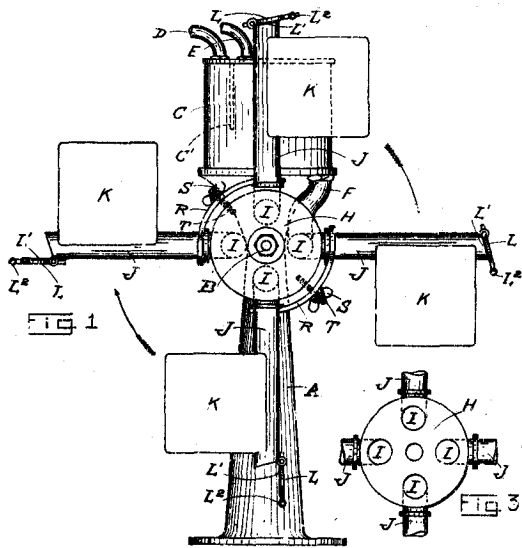
Lash cord fastener. Kinton. 29777.



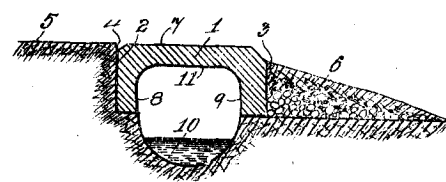
Bottle stopper. Russell. 28838.



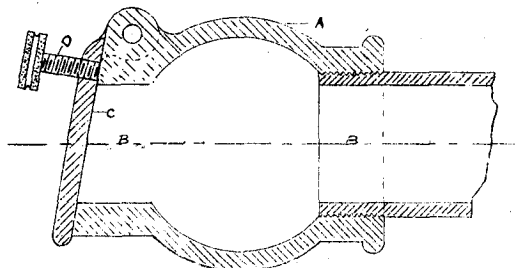
Machine recorder. Phillips (National Machine Recorder Co. - Cooney) 29777.



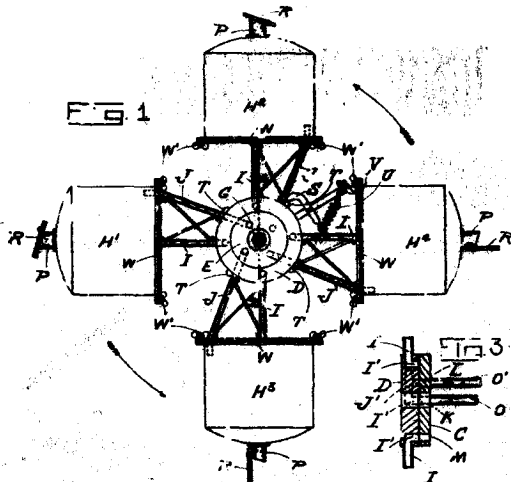
Milk release. Fountain & Paterson. 29539.



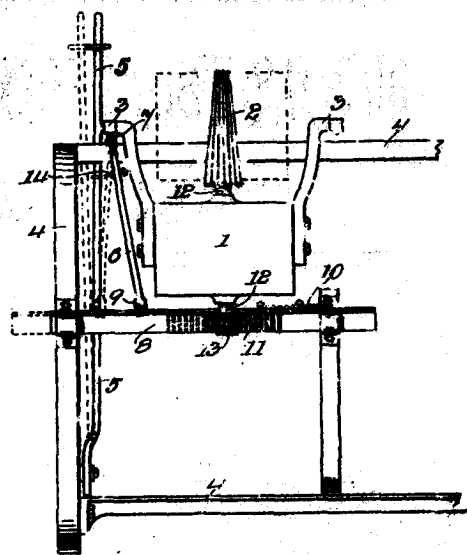
Street channel bridge. Rowe. 29582.



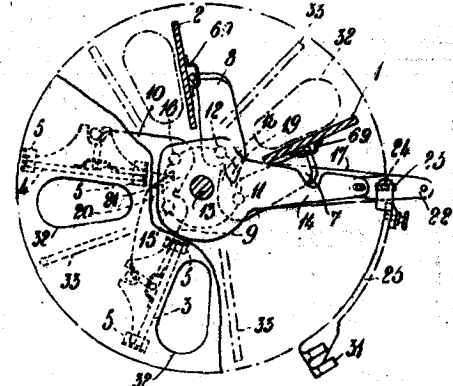
Gas producer air valve. J. L. & G. Scott. 29887.



Milk release. Paterson. 30853



Twine balling machine. Maddox. 30857



Milling machine. Alfvén 30867.

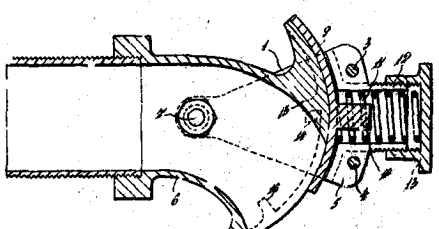
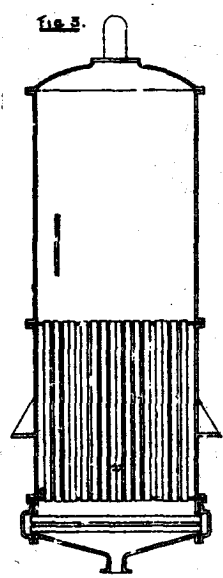
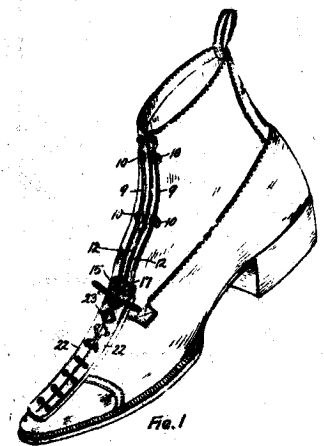


FIG. 1.

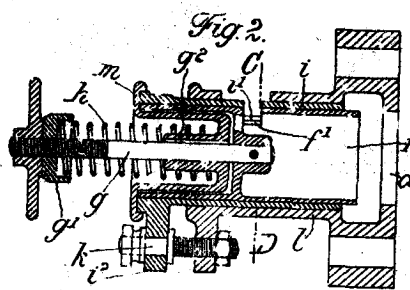
Milk cork. Robertson & Manley. 30869.



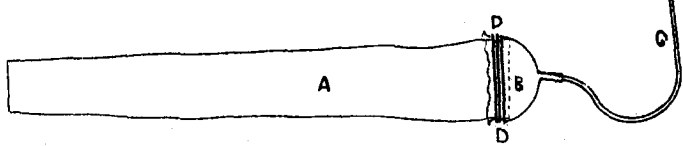
Evaporator. Pabst. 30878.



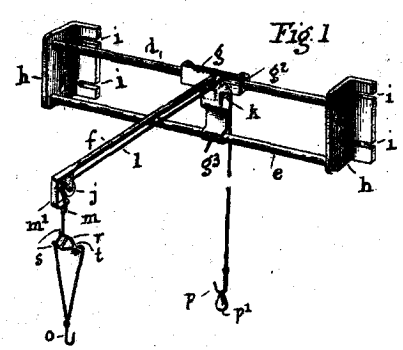
Boots, leggings, etc fastener. Malone's Fastener L^{td} (O'Neill) 30870.



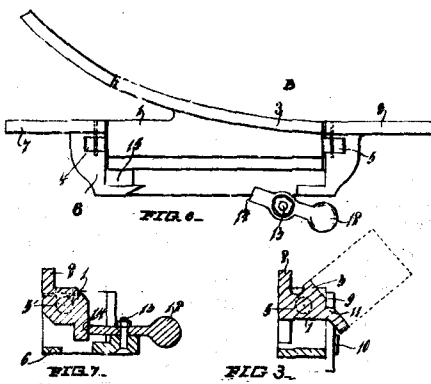
Carburettor. Migevel & Picher. 30823



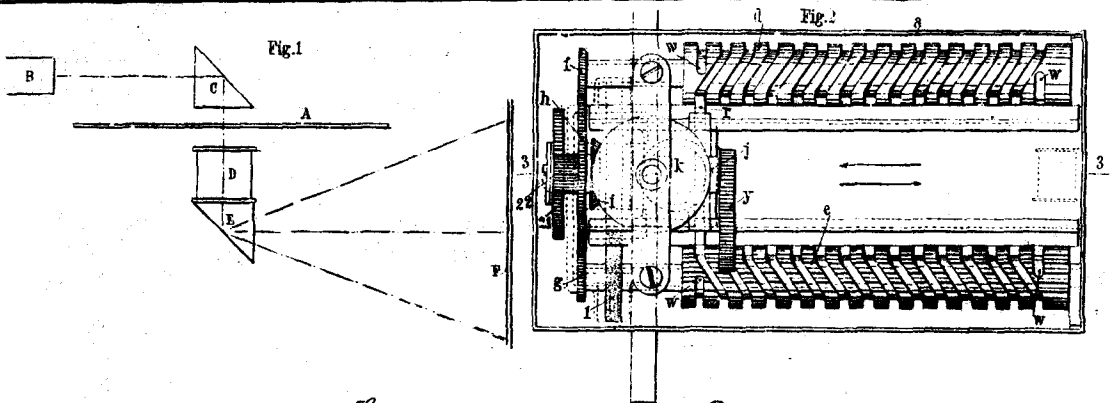
Timber seasoning. Eggleston. 29420.



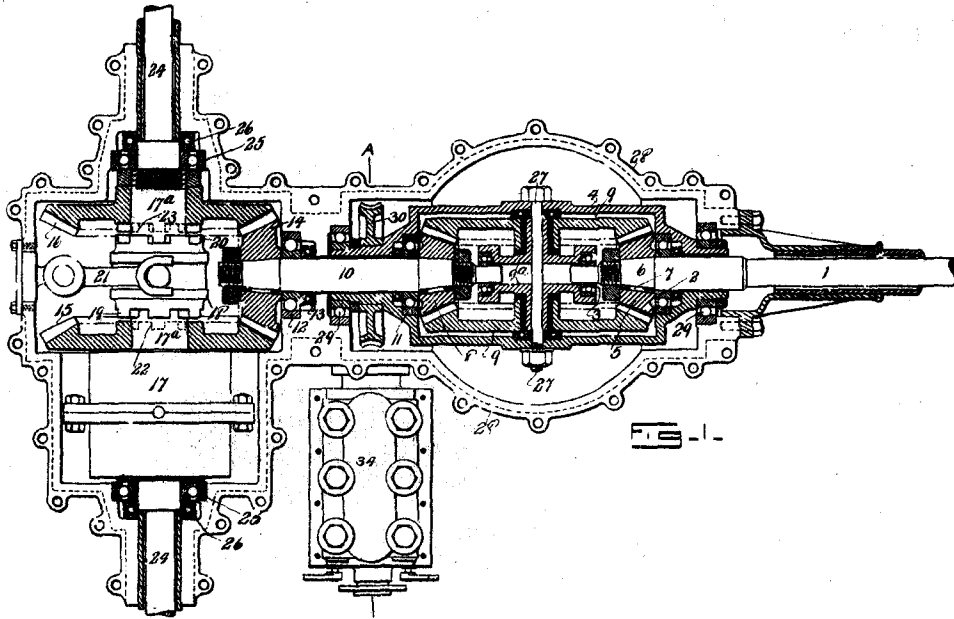
Teat cup support. Goldstraw. 30824



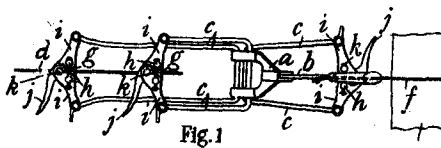
Meal rail tumbler switch Jones. 30020.



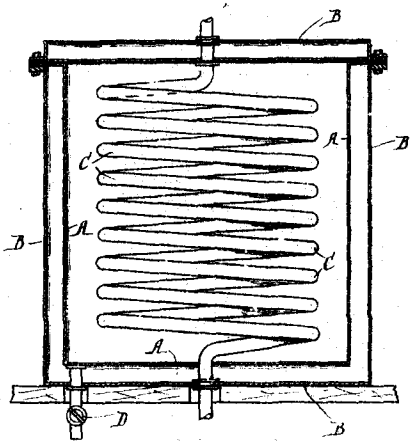
Cinematograph picture taking &c. Bellini. 30464.



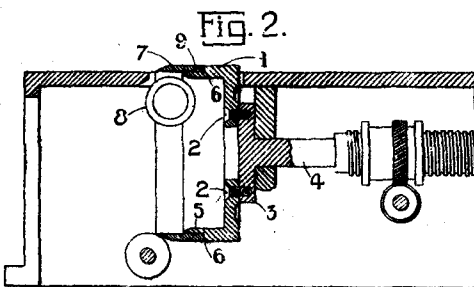
Speed gear. Richardson, Richardson & Defordt. 30684.



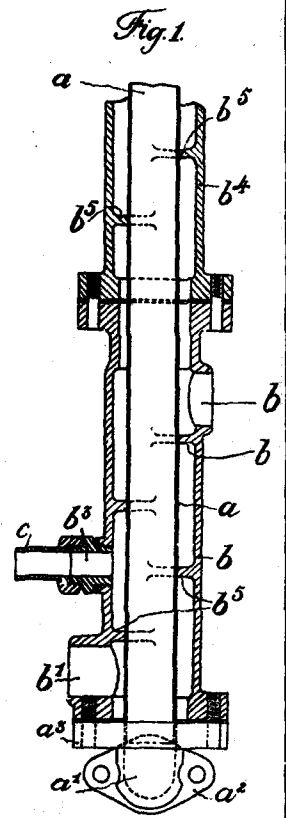
Wire strainer. Ballows. 30859.



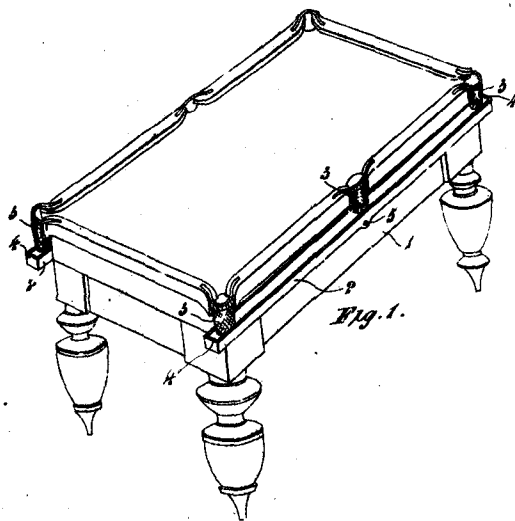
Beer bottle cooler. Gibbs. 30492.



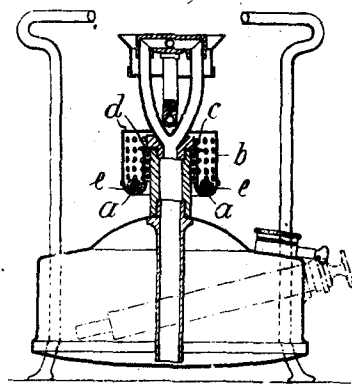
Skiving machine cutter mounting Salmon & Roy. 30282.



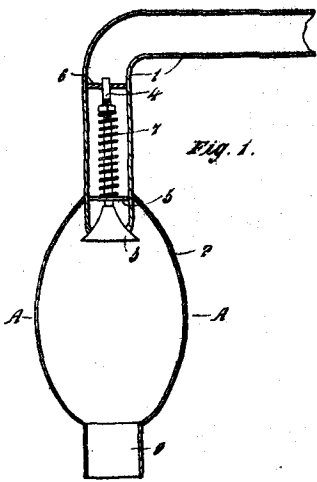
Combustion engine feed. Mègevet & Pöcker 30822.



Billiard table. Ranginui. 30892.



Slove igniter. Aktiebolaget
Pimus (Lindqvist) 30852.



Froth preventer. Ross. 30874.



FIG. I.

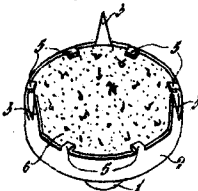


FIG. 2.

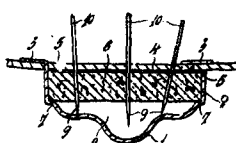
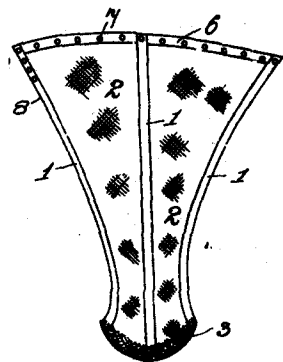
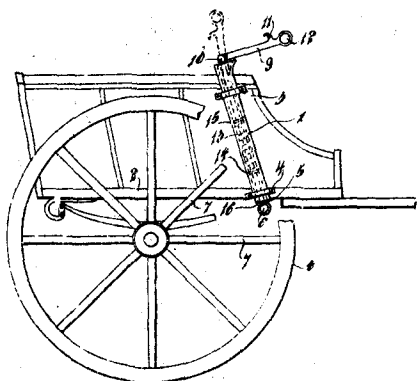


FIG. 3.

Hat pin. Turnbull. 30846.



Surgical head cap. Budge. 30882.



Horse bolting preventer. Findlay. 30827.

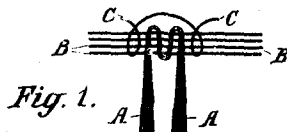


Fig. 1.



Fig. 2.

Fig. 3.



Brush. Reinsteir. 30877.

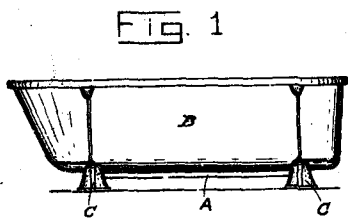


FIG. 1

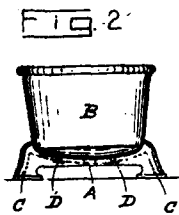
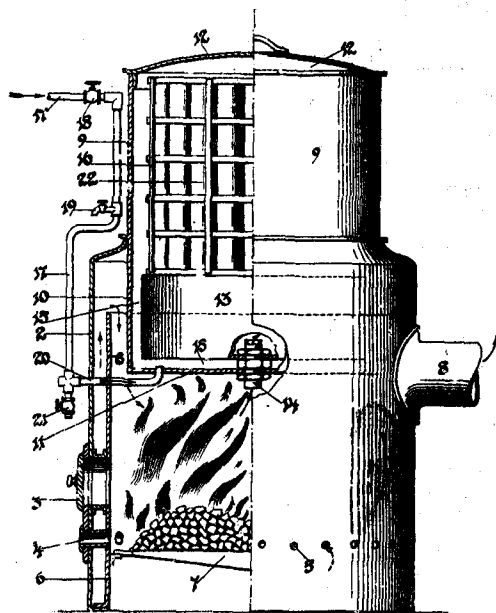


FIG. 2

Bath & Stand. Ansell. 30852.



Cooking apparatus. Blackham (Dovey-
Modern Canner Co. - Lawrence) 30872.